

# OM2K LED Based Medium Intensity Obstruction Light



OM2K is a new generation medium intensity OB light. It comes with compact-size and light-weight, which makes installation job nice & easy.

The optical part is based on Fresnel lens, a transformed convex lens which can concentrate light to a small speciel to meet with ICAO requirements. Fresnel lens is often used to design obstruction light.

The light's ingress protection level is IP67, assures the light is well sealed to stand harsh environment include the ocean. If work with control box, more functions like synchronization could be realized. GPS or GPRS functions also available if needed.

Medium intensity light OM2K is for tower taller than 45m. It should be used either alone, or in combination with low-intensity light type B (our OL32 series).

## Features

- Unique optical design complies with ICAO regulation
- Aluminum head provides good thermal performance
- Better shock-resistant perform than Xenon
- Longer lifetime expectancy
- Almost maintenance free
- Lower voltage (than xenon) makes it safer for installer
- Cost effective in long run
- 5 years warranty

## Application

- Telecomm tower
- Radio tower
- Wind turbine
- Smoke stacks & chimney

## Standard

- ICAO Annex 14, 4th Edition, July 2004
- ICAO medium intensity type B & type C
- FAA AC No. 150/5345-43F,2006
- FAA type L864

## OM2K Series

fic

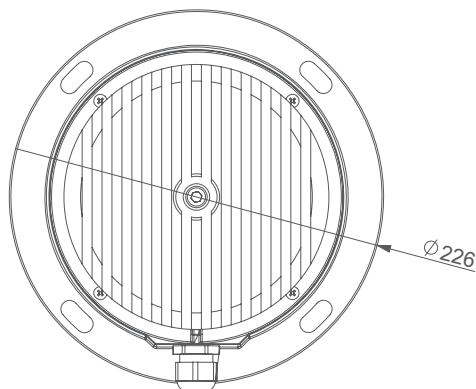
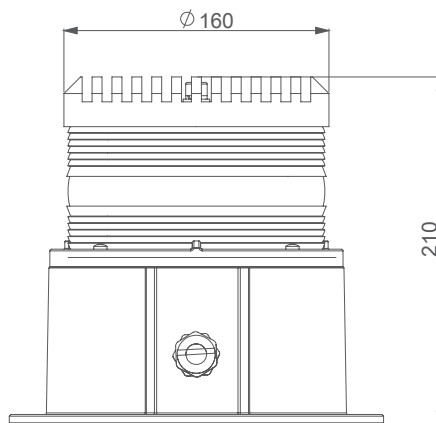
Intensity	2000 cd	
Compliant with	Steady	ICAO : Medium intensity type C
	Flashing	ICAO : Medium intensity type B
	FAA Type L864	



[balizas.cl](http://balizas.cl)

# Specifications

LIGHT OUT-PUT	
Peak Intensity	2000 Candela
Vertical Divergence	-1° 950cd, Centering at 0.5°
Horizontal out-put	360 Degree
LED Color	Red
LED Lifespan	100,000 Hours
OPERATION	
Flash Pattern	Steady-burning or flashing
POWER SUPPLY	
Input voltage	110VAC ~ 220VAC, 24VDC, 48VDC
Frequency	50Hz ~ 60Hz
Rated consumption	40W with steady mode; 5W with flashing
MECHANICAL STRUCTURE	
Lens	Polycarbonate, UV Stabilize
Body	Die-casting Aluminum
Water-proof	IP67
Weight	4.5 KG
Temperature Range	-40 ~ +55
Relative humidity	100% with condensation
Dimensions	210mm H, 226mm Diameter
Warranty	5 years
Optional	Available with built-in photo sensor Available with built-in Alarm relay



## Order Codes

Series	Steady/ flashing	AC/DC	Voltage	Flashing	Photo sensor	Alarm relay
OM2K	C (steady)	A	12	F	P	
	B (flashing)	D	24			
			48			
			110			
			220			

For example, OM2KBD24 means a DC 24V power supply, flashing light



ESPECIALIDADES DE INGENIERÍA APLICADA  
 Venta y Distribución de Materiales Eléctricos  
 Tel 02-7914900 Fax 02-7328875  
 ventas@balizas.cl

REPRESENTANTE PARA CHILE  
 Balizas.cl

